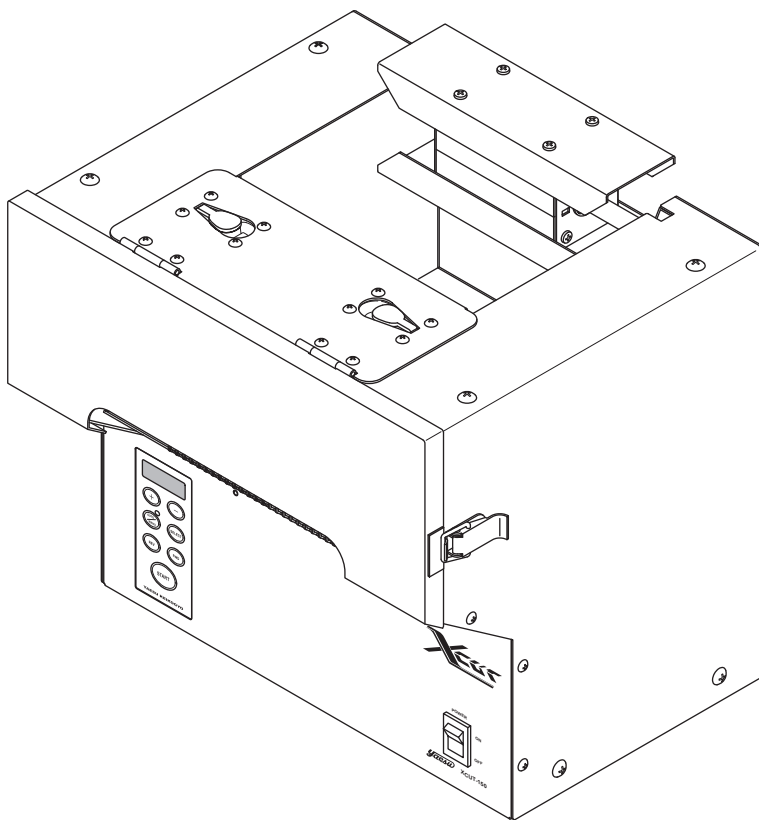




AUTO TAPE DISPENSER

XCUT-150

INSTRUCTION MANUAL



Please read before use

Thank you very much for purchasing our tape dispenser XCUT-150. This machine is composed of Scissor Cut mechanism for the wide tape width. High speed tool steel is used in the cutter blade which makes cutting stable and life time longer. Moreover, it is possible to set 7 different cutting length and to improve the productivity and efficiency.

In order to use this machine safely and properly, please read this instruction manual very carefully. After that, please keep this manual in your file and read it again as need arises.

Contents

P3	Safety Instructions
P3-P4	Definition of Warning and Caution Symbols
P4	Warning
P5	Identification of Parts
P6	Tape Setting
P7	Cut Length and Mode Setting
P8	Preset Mode and Loop Mode
P9	Maintenance
P10	Error Message
P11	Warranty
P11	Specifications

Safety Instructions

The safety guidelines in this Instruction Manual must be observed in order to prevent damage to the machine or injury to the operator or other persons.

The safety guidelines prescribed "Warning " and "Caution" describe possible injury or damage that may be suffered from operating or maintaining the machine in a manner other than as described in this Instruction Manual.

Read and follow the safety precautions carefully before reading the Instruction Manual.

Definition of Warning and Caution Symbols



Warning

Indicates a potentially hazardous situation which if not avoided, could result in death or serious injury.



Caution

Indicate that miss-handling may result in danger and that the operator is at risk of injury, or the machine is at risk of damage.



Indicates Caution

A symbol within the triangle, or the description, will indicate a specific hazard.



A Prohibited Action


A symbol within the circle, or the description, will indicate prohibited action.




A Required Action

A symbol within the circle, or the description, will indicate the required action.


Warning

 Do not plug in, unplug the cord, or operate the machine with wet hands.

Failure to observe this may result in injury due to electric shock.

 Never insert your finger, or any other body part, or any foreign object into the machine.

Failure to observe this may result in injury.


 Keep hair or loose clothing away from the machine while it is operating.

Failure to observe this may result in injury.


 This machine is intended for industrial use only.

Do not allow untrained operators or children to operate the machine.

Failure to observe this may result in injury.

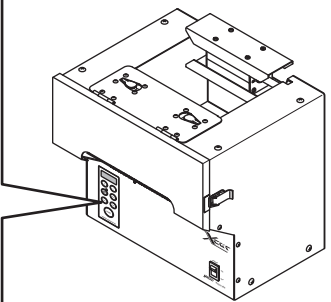
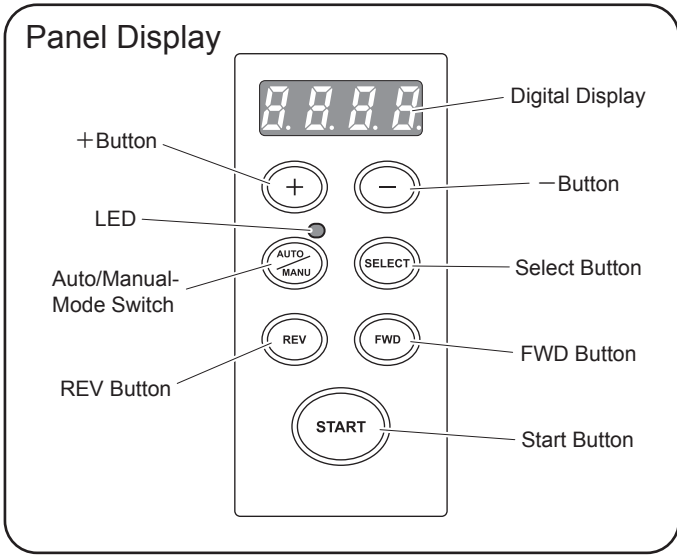
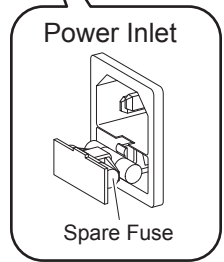
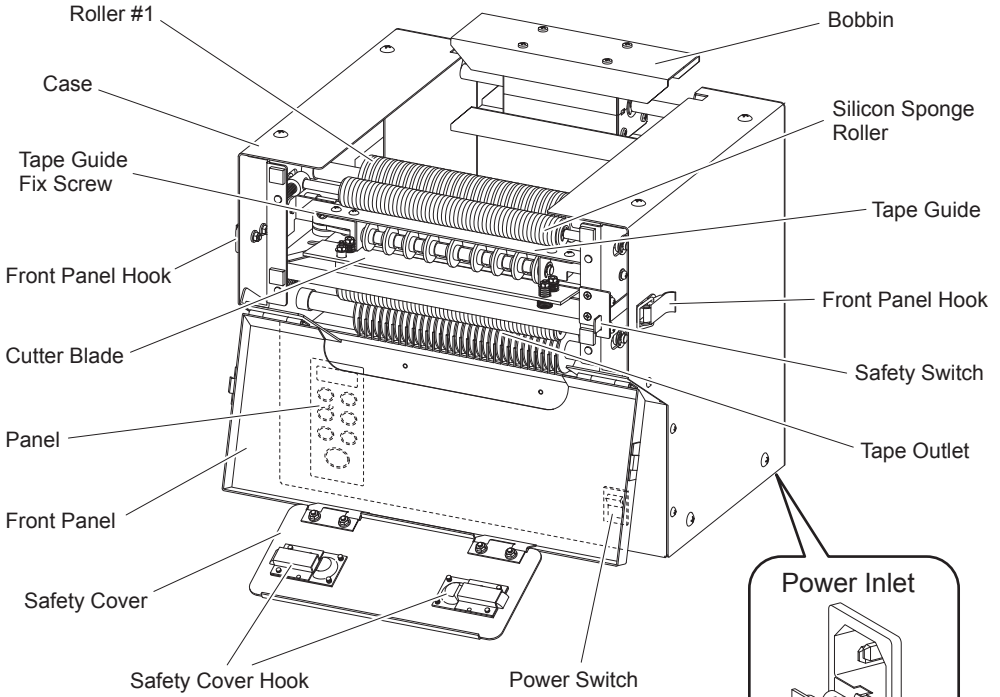
 Turn off the power switch and unplug the machine prior to replacing the blade unit or performing any maintenance on the machine.

Failure to observe this may result in serious injury.

 Do not use this machine for anything other than its specified applications.

Use of the machine for any unintended applications can cause injury to the operator or failure of the machine.

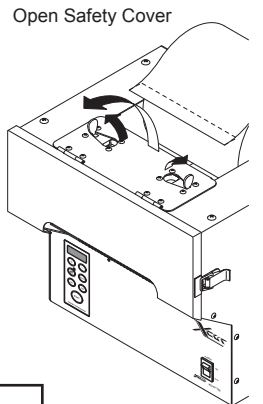
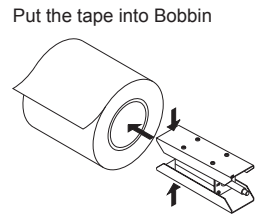
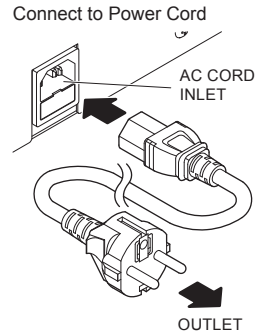
Identification Of Parts



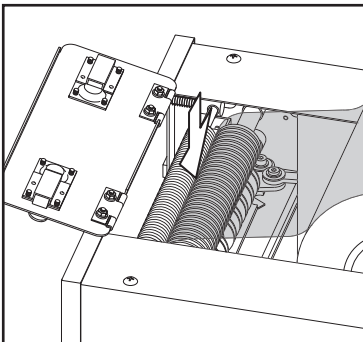
Tape Setting

- Put AC cord into Power Inlet accordingly.
- Make sure the Power Switch is off then plug into an appropriate grounded AC outlet.
- Turn on Power Switch.
 - When switching on, you will see the setting length as registered before.
 - Manual mode is set when switching on.
- Put your tape into Bobbin.
 - Grip Clutch Bobbin tightly and put your tape into Clutch Bobbin. And set it so as to the tape comes to the middle of Clutch Bobbin.
- Put Clutch Bobbin with your tape into machine.
- Release Safety Cover Hook and open Safety Cover.
- After folding the tape edge 20mm, please put it between Roller #1 and Silicon Sponge Roller.
- Feed the tape while pressing FWD button.
 - Make sure that the tape comes out.
 - Feed the tape while pressing FWD button until it comes out straight.
 - FWD function is operated only when pressing FWD button.
- Close Safety Cover and place Safety Cover Hook to the original position.
- Press Start button.
 - When pressing FWD button first and Start button, tape cutting will be enforced.
 - Remove the cutting tape.
- Please follow the instruction when removing a tape from between Rollers.
 - Release Safety Cover Hook and open Safty Cover.
 - Press REV button and tape will be reversed.
 - When tape is removed, release your finger from REV button.

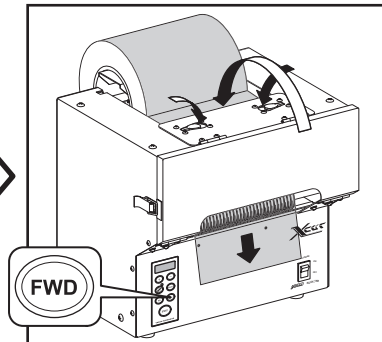
Caution: Please notice that tape may be caught at the rear of the roller when pressing REV button even though tape is already removed.



Set a tape into between rollers



Confirm the status of setting



Cutting tape

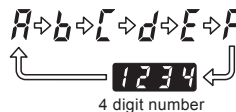
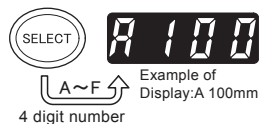


Remove tape

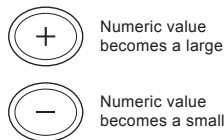
Set the Tape Length

- Make sure that cutting length is displayed.
 - Alphabets from A to F show the cutting length in 4 digit.
 - In the case displayed not for cutting length, please press "SELECT BUTTON" longer. (b and d display small letter)
- Set the cutting length.
 - Set your needed length by using +/−-BUTTON.
 - machine can set 6 different cutting length in 3 digital and 1 cutting length in 4 digital.
 - As needed, set the cutting length as press "SELECT BUTTON" while displaying A-F.
 - Increased by 1mm if pressing +/−-BUTTON shorter and press longer for making so fast.
- Memorise the setting length after 3 seconds.
- Setting length will not be memorized if switching off immediately after you set.

Confirm the cutting length



Set cutting length



Mode Setting

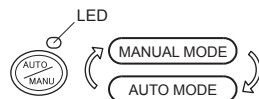
MANUAL MODE

- Make sure that Blue LED is off.
 - When switching on, it is always MANUAL MODE.
- Every time pressing START BUTTON, cutting piece is ready one by one.

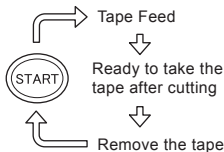
AUTO MODE

- Make sure that Blue LED is flashing.
 - When LED is off, press AUTO/MANUAL BUTTON and make sure that LED is on.
- Press START BUTTON and cut a tape.
 - After removing the tape ready, another one will come out automatically.

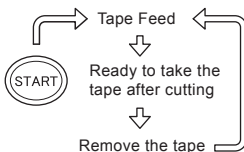
AUTO/MANUAL Switching Operation



MANUAL MODE ● Lighting Off



AUTO MODE ☉ Lighting



Preset Mode

A buzzer will sound when the number of setting pieces is completed.
 You can use the mode either MANUAL or AUTO.
 This setting is 999 pcs maximum.

- Press SELECT BUTTON and select the cutting length from A to F and 4 digit number.
- Press SELECT BUTTON longer and Display Lcon mode.
- Press SELECT BUTTON shorter and P mode is ready.
 • Display P and 3 digit as shown on right side.
- Press + or –BUTTON to set the number of cutting pieces.
- Press AUTO/MANUAL BUTTON to select the mode function.
- Cutting piece will be ready if pressing START BUTTON.
 • When use in manual, press START BUTTON again after taking.
 • When use in auto, another one will come out automatically.
- The setting number will be decreasing after every cutting.
- A buzzer will sound when it reaches 0.
 • Return to the setting number after buzzing sound.
 • Please press AUTO/MANUAL BUTTON when changing the function.
 • When use in auto and remove the cutting piece while buzzing sound, another one will come out automatically at the same time sound finishes. It will be minus 1 on the display.

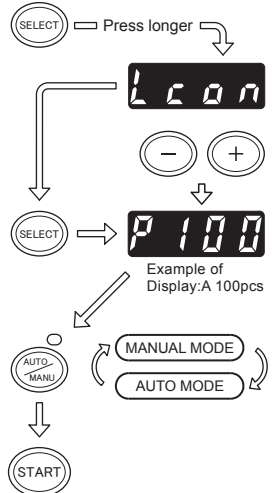
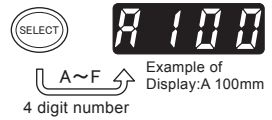
Loop Mode

When setting the number of cutting and press START BUTTON, it will keep cutting without stopping.
 This setting is 999 pcs maximum.

- Press SELECT BUTTON and select the cutting length from A to F and 4 digit number.
- Press SELECT BUTTON longer and Display Lcon mode.
- Press + or –BUTTON to set the number of cutting pieces.
- After pressing START BUTTON, it will begin the countdown and keep cutting without stopping.
 • A buzzer will sound and stop when it reaches 0.
 • If you want to stop, please press START BUTTON.
 If pressing START BUTTON again, it will resume.

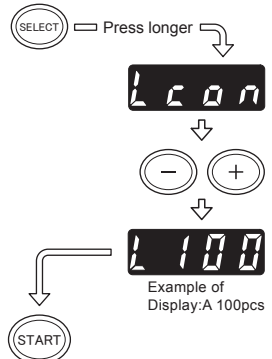
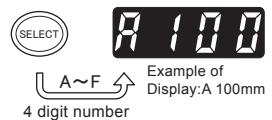
P Mode Operation

Confirm the cutting length



L Mode Operation

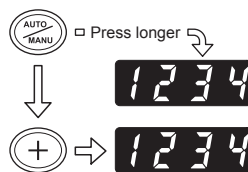
Confirm the cutting length



MEMO Function

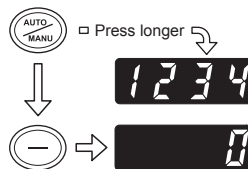
While operating, memorize the number of present cutting.

- Press AUTO/MANUAL BUTTON longer and display 4 digit.
- Press +BUTTON.
 - Transfer the data for the number of present cutting.
 - The data transferred is not deleted even if switching off.
- If pressing AUTO/MANUAL BUTTON longer, display the cutting length.



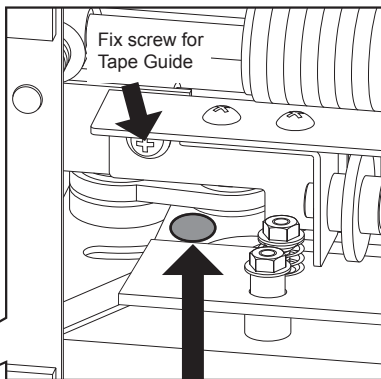
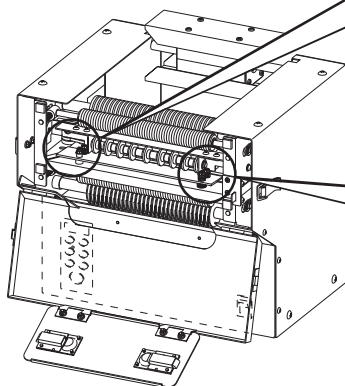
Reset the Number of Cutting Pieces to ZERO

- Press AUTO/MANUAL BUTTON longer and display 4 digit.
- The number will be ZERO if pressing -BUTTON.
- Display will change to cutting length if pressing AUTO/MANUAL BUTTON longer.

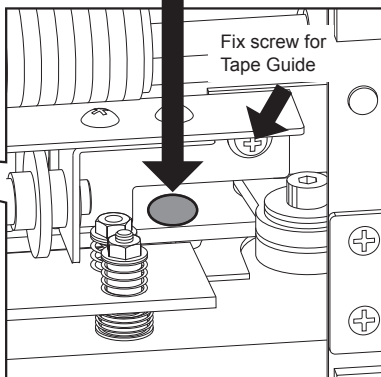


Maintenance

- Please clean up with a piece of cloth dipped in the detergent.
- Keep clean for the path of tape.
 - Make sure whether there is no waste of tape glue on Roller and Blade.
- Find oil accessories and apply it to blade cutters by using some sort of cotton swab.
- When removing the waste of tape glue on blade cutters, clean up in order to avoid not scratching the blade edge after unscrew as shown right figure.
- Basically, blade replacement should be done by manufacturer.
 - Please do not disassemble by yourself. We may not accept repair and parts replacement if you do disassemble.



Position to lubricate



Trouble Shooting

<Error Messages>

In the case of buzzer sound during the operation, the following message may display.

E-02 Blade is out of Position

A signal show that the blade is not installed well or machine stops because of the thickness or hardness of the tape.

- Turn the POWER SWITCH off.
- Release Front Panel and Safety Cover Hook, and then, open and check the area of Cutter Blade and Roller.
- Remove the waste of tape and something if you find it.
- Close Front Panel and Safety Cover and fix it.
- Turn the POWER SWITCH on.
- A buzzer sounds if pressing START BUTTON and E-02 will display.
Cutter Blade will take an original position if pressing START BUTTON once again.
- Reset the tape according to tape setting.

E-03 Motor is Stopped

Indicates that the motor is stopped because of overloading.

- Turn the POWER SWITCH off.
- Open Front Panel and Safety Cover.
- Check the area of Roller and Silicon Sponge Roller whether there is a waste of tape.
- Remove the waste of tape in order to avoid scratching any parts if you find it.
- Close Front Panel and Safety Cover.
- Turn the POWER SWITCH on.
- Press START BUTTON and make sure that it is properly operated.
- Reset the tape according to tape setting.



Do not touch the Blade when you are correcting an error under POWER SWITCH is on.



Turn off the POWER SWITCH and stop using the machine.
If the machine cannot work normally after correcting the error.
It seems that nothing wrong without any error messages.

Warranty

We warrant to the original purchaser of the product that will be free from defects in material or workmanship for as long as the original purchaser owns the product, when given normal wear and proper usage.

The limited warranty for the machine shall be for a period of 180 days from the date of purchase.

The spare parts such as Cutting Blades, Rollers, are not covered under the warranty period as they are considered as "wear parts".

This warranty is only valid if the product:

- ◆ Was not damaged while being installed.
- ◆ Was operated in accordance with products's specifications, instructions and any technical support directions.
- ◆ Was not modified or damaged by tempering, user error, accident, disaster, abuse, misuse, power supply, power application, alternation, repair, modification, a fix or replacement by someone other than the original product.

Specifications

Power Requirement	100VAC, 120VAC, 220-240VAC 50/60Hz
Input Voltage Range	±5%
Wattage	45W
Dimensions	292mm(W) x 276mm(H) x 239mm(D)
Weight	9.7 KG.
Tape Length	30mm ~ 999mm (MANUAL) 60mm ~ 999mm (AUTO)
Tape Width	20mm~150mm
Feeding Speed	330mm/sec. (using Craft Tape) 72pcs/min. (in the case of cutting craft tape 100mm length)
Max. Outside Dia. of Roll	200 mm
Accessories	Power Cord Bobbin 2A Fuse (Built-In Inlet) Blade Oil

Remarks ◆The specifications are subject to change without prior notice.

◆The length of the tape may differ from the set length depending upon the type of the tape or its condition.

◆Some types of tape available with the machine may not be cut depending upon conditions.



YAESU KEIKOGYO CO., LTD.

39-8, Senju Motomachi, Adachi-Ku,
Tokyo, 120-0041, Japan

Phone 81-3-3888-8751

Fax 81-3-3888-1592

PLEASE VISIT OUR WEB SITE

<http://www.yaesu1965.com/>