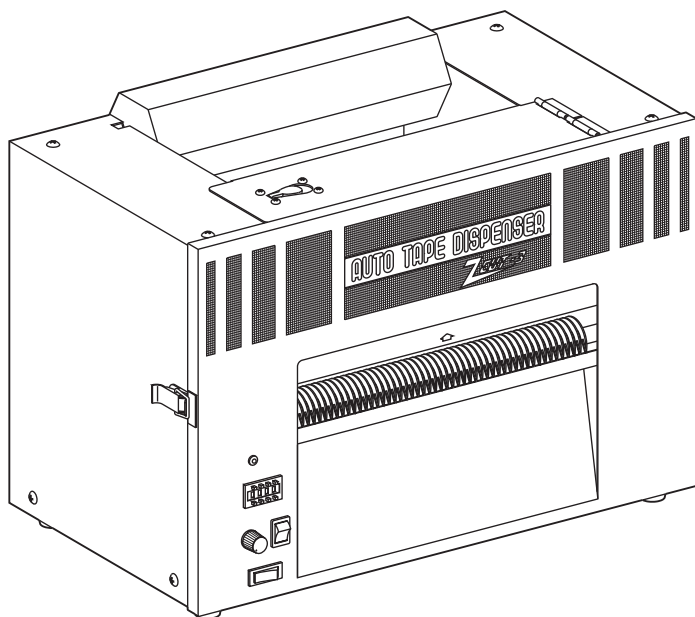


AUTO TAPE DISPENSER

ZCUT-3150, 3250

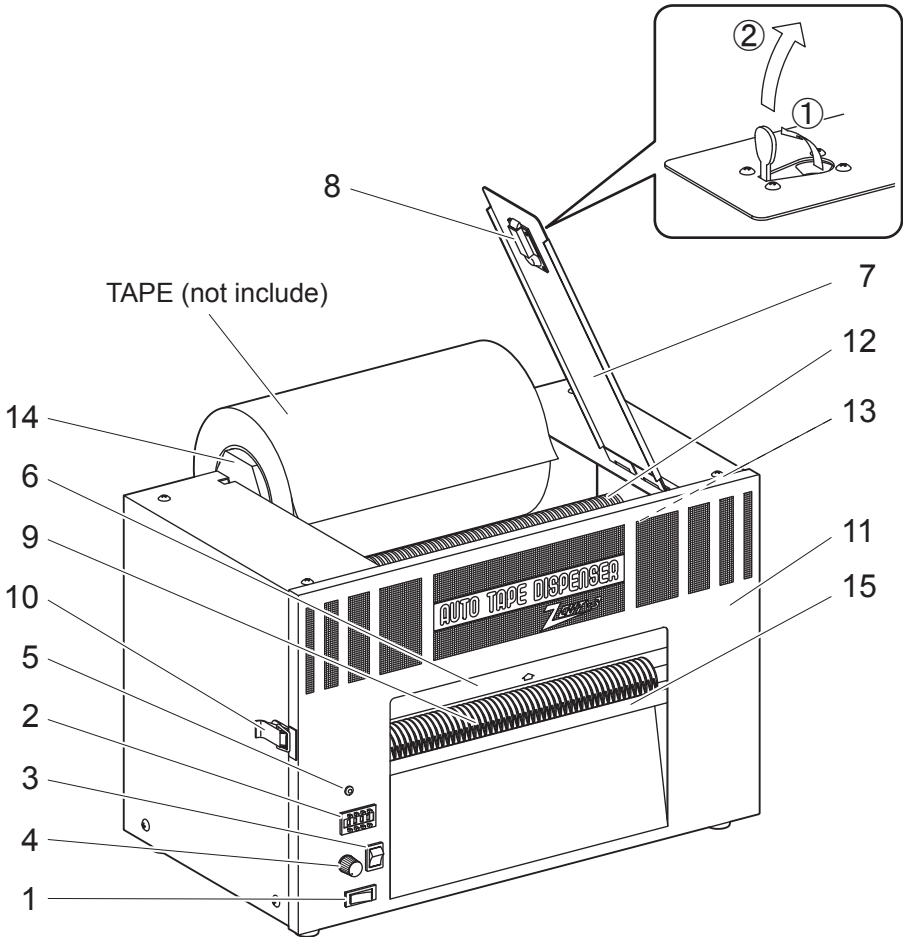
INSTRUCTION MANUAL



Yaesu

YAESU KEIKOGYO CO., LTD.

IDENTIFICATION OF PARTS



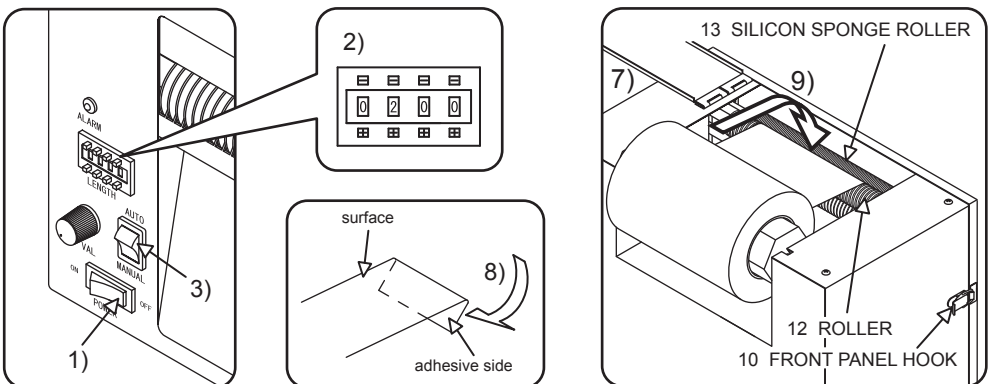
- | | |
|---------------------------|-----------------------------|
| 1. POWER SWITCH | 2.TAPE LENGTH COUNTER |
| 3. AUTO / MANUAL SWITCH | 4. INTERVAL ADJUSTMENT KNOB |
| 5. OVER LOAD ALARM LAMP | 6. PANEL SWITCH |
| 7. SAFETY LID | 8. HOOK |
| 9. TAPE OUTLET | 10. FRONT PANEL HOOK |
| 11. FRONT PANEL | 12. ROLLER |
| 13. SILICON SPONGE ROLLER | 14.BOBBIN |
| 15. TAPE GUIDE | |

INTRODUCTION

Thank you for purchasing our Automatic Tape Dispenser. Our product is produced for industrial use. Please read this Instruction Manual carefully and become familiar with machine before handling it.

BEFORE USE

- 1) Before you plug in the cord, make sure that the Power Switch 1 is off.
- 2) Set the Tape Length Counter 2 for more than 200mm.
■ If you set this for less than 200mm, the tape would not come out smoothly.
- 3) Set the Auto/Manual Switch 3 for Manual.
- 4) Plug into an outlet firmly.
- 5) Turn the Power Switch 1 on.
- 6) Put a tape onto the Bobbin 14.
- 7) Open the Safety Lid 7.
- 8) Extend the tape and fold the edge of tape about 20-30mm to the sticky side.
■ If the tape has no glue, it is not necessary.
- 9) Insert the tape between the Roller 12 and the Silicon Sponge Roller 13.
- 10) Tap the Panel Switch 6 upwards once lightly.
- 11) Cut two or three pieces to make sure that tape comes out from the Tape Outlet 9.
- 12) Make sure that the tape is coming out smoothly, then close the Safety Lid 6.
■ If the tape winds around the other Roller, please turn the Power Switch 1 off, remove the Front Panel Hook 10 and open the panel.
Cut the wound up the tape off and start again.
■ Whenever cut the wound up the tape off, extreme care for do not scratch the roller.
- 13) Set the tape length as you like.
Anytime you set the length, the Power Switch 1 must be off.



MANUAL

- 1) Set Manual/mode to cut a tape one by one.
- 2) Switch on by pressing the Start button.
- 3) In the case of cutting any longer than 120mm, it is effective to lift a tape up while taking a tape. Then next piece of tape will come out like automatically.

AUTOMATIC

- 1) Set Auto/mode to cut a tape in the specified time interval.
- 2) Switch on by pressing the Start button and the piece of tape will automatically come out in the specified time interval.
- 3) If turning the interval Adjustment Knob 4, interval time in between cutting will be adjustable within 10 second.

ALARM

- 1) If turning off the switch, alarm will be cancelled.
- 2) Please refer to "Before use" (P4) and set the tape properly again after removing it. (You can turn Roller 12 by hand when turning off the switch.)
- 3) Please use the machine after confirming that alarm switch is not flashing.



When alarm is still flashing after removing the tape jammed, please turn off the switch immediately and unplug for your own safety

SAFETY SWITCH

When opening Front Panel, switch will be automatically off and not operate while opening.



Please DO NOT open Front Panel more than 90 degree because cable and wire are connected with Front Panel and may be damaged if you do it

HOW TO REMOVE THE TAPE

Please open Safety Lid 7 and remove the tape with bobbin from the machine.

MAINTENANCE

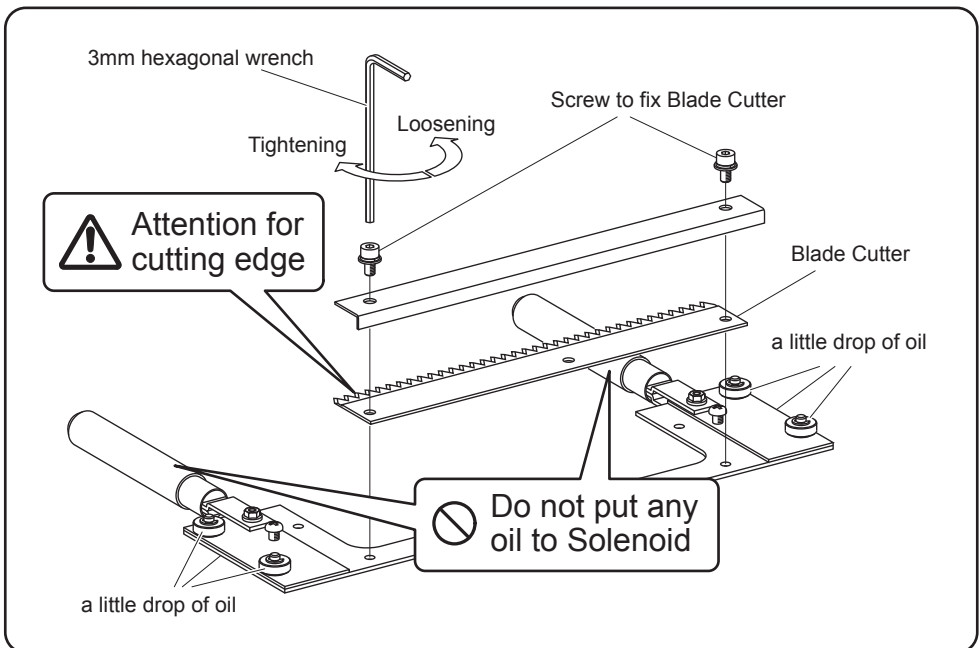
- 1) Please make sure that switch is turned off and Power Cord is unplugged.
- 2) Use neutral detergent and clean up rollers and other spare parts.
Do not use thinners, benzine, and any kind of alcoholic oil.
- 3) Normally, it is not necessary to put any oil to Solenoid and any other main parts.
However, please put some oil on the parts of blade cutter as depends on the condition.
- 4) Do not put any oil to Solenoid.

HOW TO REPLACE THE BLADE

- 1) Please make sure that switch is off and Power Cord is unplugged.
- 2) Remove the hook and open the Front Panel.
- 3) Loosen the screw for Blade cutter and remove it.
- 4) Close the Front Panel and fix it firmly.



Please pay your attention when replacing the Blade Cutter



TROUBLE SHOOTING

Please make the following procedure before being repaired.

No Function

Confirm whether it is properly plugged	Confirm whether it is properly plugged with both machine and power supply
Confirm whether switch is turned on	Please switch on properly
Confirm whether fuse is still working	Please replace new fuse. If not working or fuse blows out immediately after replacing it, please contact our agent or manufacturer
Confirm whether Front Panel is properly and completely closed	Please securely hook and close Front Panel
Confirm whether alarm is flashing	Please refer to "ALARM" (P4). If alarm is still flashing, please contact our agent or manufacturer

Not Cutting Well

Confirm whether Blade Cutter is properly fixed	Please refer to "MAINTENANCE" (P5)
Confirm whether tape is properly installed	Please refer to "BEFORE USE" (P3)
Confirm whether Blade Cutter is already consumed	Please refer to "MAINTENANCE"(P5) and replace new Blade Cutter

Not Operate Properly

Confirm whether tape is jammed	Please remove tape jammed and waste. Then set tape again properly
Confirm whether feeding roller is turning	If feeding roller is turning and tape doesn't come out, please contact our agent or manufacturer



If checking all things as mentioned above and still having a problem, please contact your supplier or YAESU JAPAN

SPECIFICATIONS

POWER REQUIRMENT	100VAC 50/60Hz	600W
	120VAC 50/60Hz	
	220-240VAC 50/60Hz	
DIMENSIONS	330 (W) X 290 (H) X 250 (D) mm (ZCUT-3150) 430 (W) X 290 (H) X 250 (D) mm (ZCUT-3250)	
WEIGHT	16 KGS. (ZCUT-3150) 18 KGS. (ZCUT-3250)	
TAPE SPEED	132mm/sec 50Hz 160mm/sec 60Hz	
TAPE WIDTH	from 15mm to 150mm (ZCUT-3150) from 15mm to 250mm (ZCUT-3250)	
CUTTING LENGTH	from 50mm to 9999mm	
ROLL SIZE	OUTSIDE DIAMETER 200mm	
ACCESSORIES	BOBBIN (75mm) 1 PC. FUSE 1PC. 8A (100V,120V) 5A(220-240V)	

■ If you have any questions, please let us have immediate instructions.



YAESU KEIKOGYO CO., LTD.

39-8, Senju Motomachi, Adachi-Ku,
Tokyo, 120-0041, Japan

Phone 81-3-3888-8751

Fax 81-3-3888-1592

PLEASE VISIT OUR WEB SITE

<http://www.yaesu1965.com/>