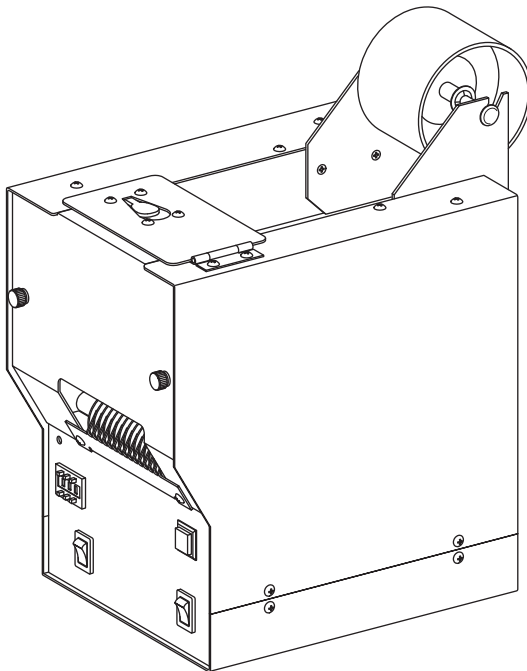


# AUTO TAPE DISPENSER

# **ZCUT-6**

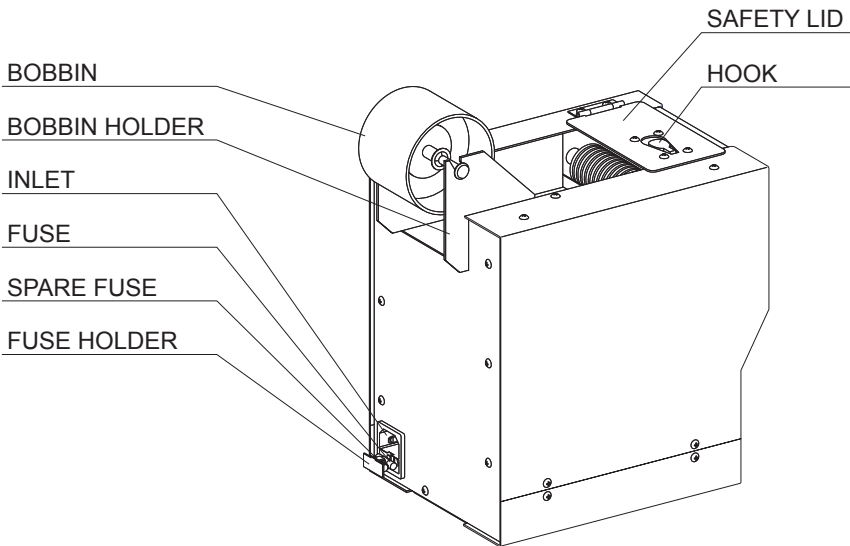
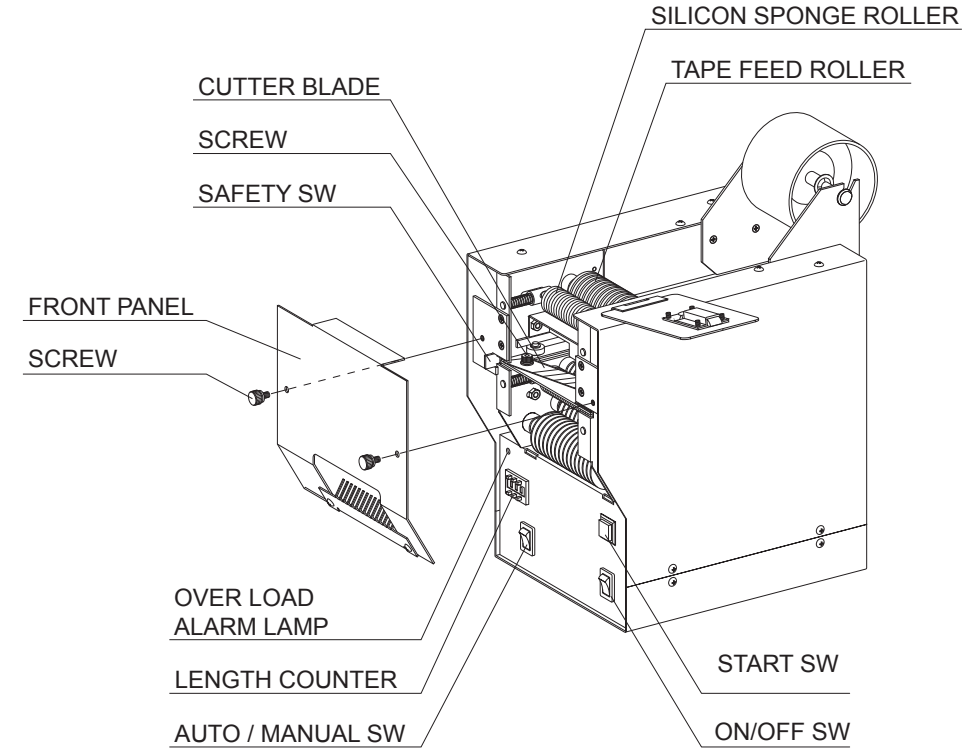
## INSTRUCTION MANUAL



**Yaesu**

YAESU KEIKOGYO CO., LTD.

# IDENTIFICATION OF PARTS



# INTRODUCTION

Thank you for purchasing our Automatic Tape Dispenser ZCUT-6.

The ZCUT-6 can cut many types of tape.

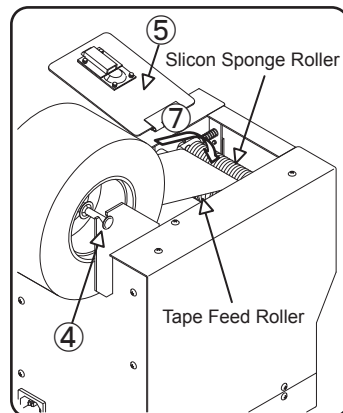
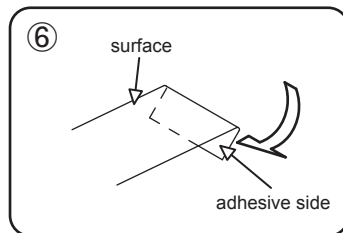
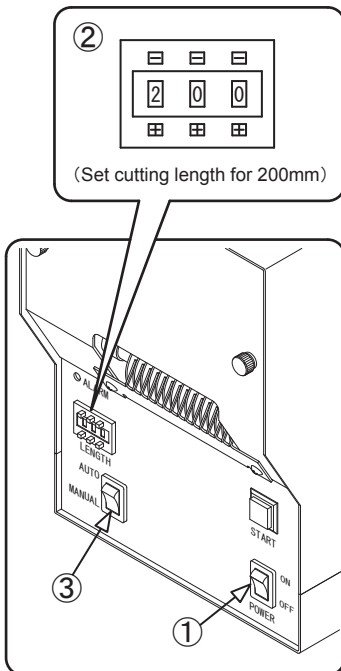
Before using, please read this instruction manual carefully to understand our machine.

## BEFORE USE

- 1) The ON/OFF SW. must be "OFF".
- 2) Set the Length Counter for 200mm.
- 3) The AUTO/MANUAL SW. is turned to the "Manual" position.
- 4) Put the Tape on the Bobbin and attach the tape to the Tape Holder.
- 5) Pick a stay-on tab up and open the Safety Lid.
- 6) Pull the tape and fold the end about 20-30mm to the adhesive side.
- 7) Insert the tape between Tape Feed Roller and Silicon Sponge Roller.
- 8) Close the Safety Lid.



This is an industrial tape dispenser.  
It is not for home use.  
Do not use around children.



## OPERATION

- 1) Plug into an outlet firmly.
- 2) Set the ON/OFF SW. for "ON".
- 3) Press the Start Switch once.
- 4) Make sure the tape comes from the tape outlet and cutting two or three pieces.

- If the tape can not feed smoothly, or tape winds around roller, turn off the ON/OFF SW. and remove the front panel.  
Take off the blade and take the wound up tape off by tweezers or pliers.
- Whenever take the wound up tape off, extreme care for do not scratch the roller.



Cutting blade is very sharp.  
Please be careful when you touch the blade.

## SET UP

- 1) Set the tape length as you like by Length Counter.
  - Anytime you set the length, the ON/OFF SW. must be "OFF".
  - Do not set the length less than 40mm, because the tape can not take out from the tape outlet.
- 2) Depend on types of tape, material, room temperature, the setting length might be changed.  
Adjust length by Length Counter.
- 3) Choose AUTO/MANUAL SW. as you like.

## FUNCTION

### MANUAL ( One by One Cut )

- 1) Set the AUTO/MANUAL SW. for "MANUAL".
- 2) Press the Start Switch once.

### AUTO ( Feed & Cut Automatically )

- 1) Set the AUTO/MANUAL SW. for "AUTO".
- 2) When you take the tape out, machine will feed another piece of tape automatically.

### ALARM (Over Load)

If the tape winds around the roller, and can not cut the tape, the motor stop immediately and alarm lamp is on.

- 1) Turn off the ON/OFF SW.
- 2) Remove the front panel and take the blade off.



Extreme care for handling blade when you take out the blade.

- 3) Take the wound up tape off by tweezers or pliers.  
Can turn the roller by hand when the power is off.

### SAFETY SWITCH

When you remove the front panel, the ZCUT-6 will stop automatically for your safety.

### HOW TO TAKE OFF THE TAPE

- 1) Open the Safety Lid.
- 2) Take off the tape from the body.
- 3) Pull out the tape upward.

## MAINTENANCE

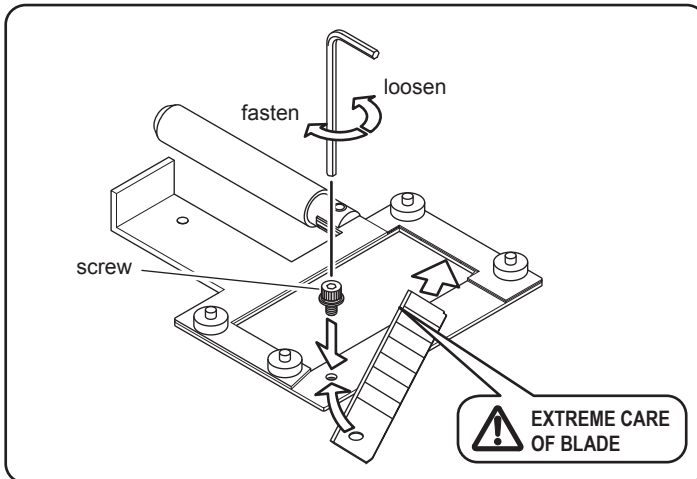
### CHANGE THE BLADE

The blade is consumable, and it will eventually dull.

When this happens you should replace the blade.

How long the blades last will depend on the quality and thickness of the tape you are using.

- 1) Make sure that the ON/OFF SW. is "OFF".
- 2) Remove the front panel.
- 3) Take out the screw and pull out the old blade.
- 4) Insert the new blade into the right gap and fasten the screw.
- 5) Put on the front panel.
- 6) Try to cut two or three pieces.



## WARNINGS

- 1) When not in use, switch the ZCUT-6 "OFF" and unplug it.
- 2) When performing any maintenance, make sure the ZCUT-6 is "OFF".
- 3) The ZCUT-6 is designed for tape cutting only.  
Please do not try to cut other things.
- 4) Whenever need repair, please do not try to repair it by yourself.  
Contact us or your agent immediately.

## SPECIFICATIONS

POWER REQUIREMENT	100VAC 50/60Hz	400W	
	120VAC 50/60Hz		
	220-240VAC 50/60Hz		
DIMENSIONS	166(W) X 245(H) X 243(D) mm		
WEIGHT	9.2 KG.		
CUTTING LENGTH	40-999 mm		
TAPE WIDTH	15-80 mm		
FEEDING SPEED	50Hz 44 pcs./min. (100 mm Length) 29 pcs./min. (200 mm Length) 60Hz 47 pcs./min. (100 mm Length) 32 pcs./min. (200 mm Length)		
CORE & ROLL SIZE	Internal Diameter	75 mm, 31 mm	
	Outside Diameter	Up to 150 mm	
ACCESSORIES	Bobbin	75 mm	1 pcs.
		31 mm	1 pcs.
	Power Cord		1 pcs.
	Spare Fuse	5A (100V,120V)	1 pcs.
		3.15A (220-240V)	
	Spare Blade		6 pcs.
Hexagonal Spanner		1 pcs.	



**YAESU KEIKOGYO CO., LTD.**

39-8, Senju Motomachi, Adachi-Ku,  
Tokyo, 120-0041, Japan

Phone 81-3-3888-8751

Fax 81-3-3888-1592

**PLEASE VISIT OUR WEB SITE**

<http://www.yaesu1965.com/>